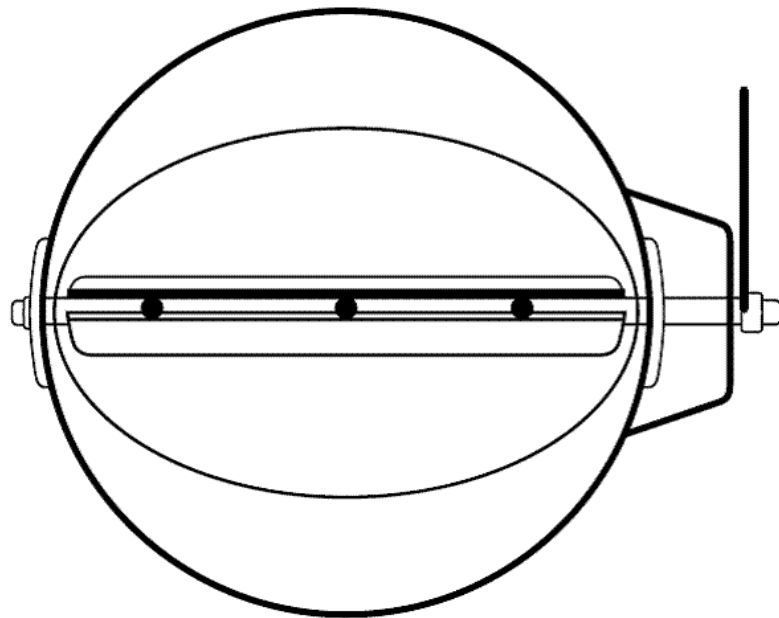


Perry Fiberglass Products, Inc.

FRP DAMPERS

AMCA CERTIFIED!

ZERO-LEAKAGE!



INEXPENSIVE BALANCING
DAMPERS!

ROUND AND RECTANGULAR!

**LEADERS IN THE DESIGN AND MANUFACTURING OF
DUCTWORK, CARBON ADSORBERS, SCRUBBERS,
DAMPERS, FANS, PIPING, & TANKS**

CALL TODAY FOR TOMORROW'S SOLUTIONS!

5415 Village Drive Rockledge, Florida 32955 / PHONE: 321-609-9036 / FAX: 321 609-9003

www.PerryFiberglass.com

Perry Fiberglass Products, Inc.

LEADERS IN THE DESIGN AND MANUFACTURING OF DUCTWORK, CARBON ADSORBERS, SCRUBBERS, DAMPERS, FANS, PIPING, & TANKS

ABOUT PERRY DAMPERS

Perry Fiberglass has over 30 years of experience in the design and manufacturing of corrosion resistant dampers. While the general design and performance of our dampers is standard, all units are manufactured to meet each individual application.

AMCA Certified Perry Models:

- ZLD - Zero-Leakage Damper
- CCD - Conventional Control Damper

Perry Customized Models (Not AMACA Certified)

- BD - Balancing Damper
- MB - Rectangular Multi-Blade damper for shut-off or balancing air flow
- BDD - Back-Draft Dampers for Immediate Isolation of an air stream

ZERO-LEAKAGE DAMPERS (ZLD)

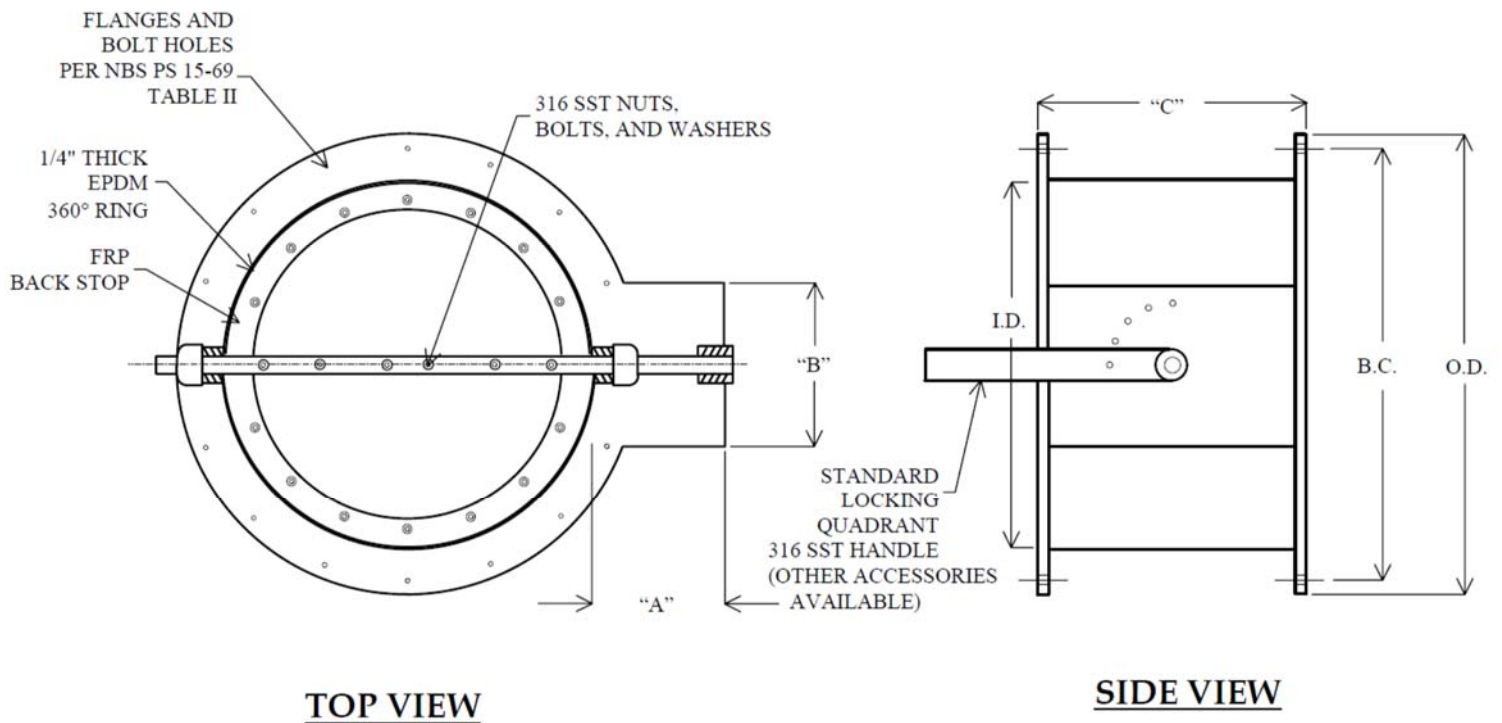
The Perry Fiberglass Zero-Leakage Damper (ZLD) is manufactured using state-of-the-art equipment. Our engineered ZLD Damper is tested through individual water testing. Each Perry Damper is manufactured with a resilient, machined rubber seat permanently formed into the duct wall. Balancing dampers are applicable where ultra low leakage is not critical. These leakage rates should not exceed 5%.

**CONTACT PERRY FOR A GENERAL
ARRANGMENT DRAWING.**

DAMPERS

CONVENTIONAL CONTROL DAMPERS (CCD)

Perry Fiberglass offers precision-engineered FRP butterfly dampers utilizing only highly corrosion resistant parts for air movement and controls. Dampers are fire retardant, corrosion resistant, and UV protected. Components are designed with replaceable parts for ease of disassembly. The options of having 316 SST or FRP blade shafts are available. Additionally, exotic and corrosion resistant elastomers such as Viton, Hypalon or EPDM may be selected depending on the process. Blades are equipped with circumferential seals for low leakage. Leakage rates are tested using AMCA 500 procedures and the certified ratings are authorized by AMCA. Damper blade is operated using hand lever with locking quadrant. Worm gear operators of the pneumatic, electric or hand-operated with chain-wheel types are also offered. Long life Teflon bearings and custom-designed molded plastic bushings, located on the exterior of damper, require minimal maintenance and ensure continuous free movement of the blade. Stops, (stiffeners as required), are used to support and seat the FRP blade. All metal parts are at a minimum 316 stainless steel. Dampers range from sizes 4" diameter to 168" diameter.



Perry Fiberglass Products, Inc.

LEADERS IN THE DESIGN AND MANUFACTURING OF DUCTWORK, CARBON ADSORBERS, SCRUBBERS, DAMPERS, FANS, PIPING, & TANKS

BALANCING DAMPERS (BD)

The Perry Balancing Damper (BD) is an inexpensive volume control damper.

Standard Construction

Frame

Fiberglass channel, Vinyl Ester Resin

Blade

Fiberglass, Vinyl Ester Resin

Axle

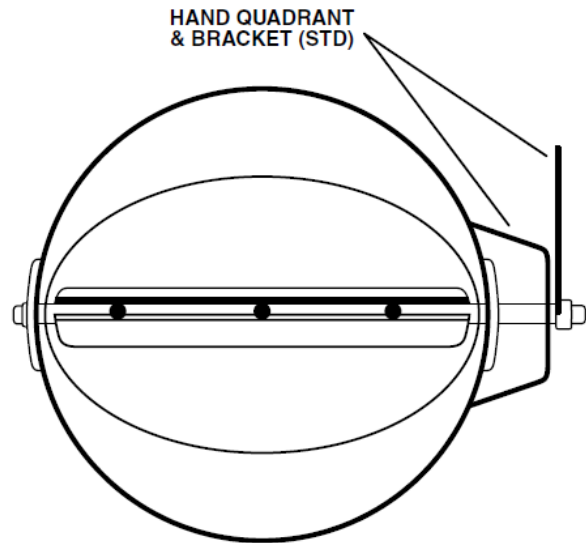
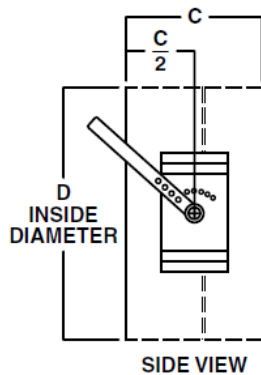
Pultruded fiberglass,
Vinyl Ester Resin.

Bearings

Molded FRP

Control Shaft

Axle extends 6" beyond frame
Complete with FRP hand quadrant



DAMPERS

RECTANGULAR MULTI-BLADE DAMPERS (MB)

Advantages of the Perry MB

- Low maintenance cost
- Vibration free linkage assembly
- Excellent corrosion resistance
- High quality FRP construction
- Custom shapes and configurations
- Double O-ring shaft seals

Applications:

- Fan inlet boxes
- Intake points
- Fan outlet

RECTANGULAR BACK DRAFT DAMPER (BDD)

Back-draft dampers allow immediate isolation of an air stream or air space upon loss of pressure.

Advantages of the Perry BDD

- Adjustable external counter-weight allows for pressure control
- Optional blade seals for low-leak applications
- Custom configurations / shapes
- Immediate reaction
- Adjustable external counter-weight allows for pressure control
- High-quality composite construction

Applications:

- **Gooseneck Intakes:** Opens to allow fresh air into a contained area where foul air is being drawn and shuts when air flow is neutralized
- **Fan Outlets/Inlets:** Prevent backflow through the fan or ductwork system.
- Also used to isolate a fan and keep it from spinning backwards without complicated automation.
- **Exhaust Stacks:** Prevent backflow of fresh air into an odor control vessel when it is not operational

Perry Fiberglass Products, Inc.

LEADERS IN THE DESIGN AND MANUFACTURING OF DUCTWORK, CARBON ADSORBERS, SCRUBBERS, DAMPERS, FANS, PIPING, & TANKS

PS 15-69 TABLE

Diameter	Flange OD	Length of Damper	Flange Thickness	Bolt Circle	NO. HOLES	HOLE SIZE
D	W	D	S	B.C.	NO. HOLES	HOLE SIZE
2"	6-3/8"	12"	1/4"	5"	4	7/16"
3"	7-3/8"	12"	1/4"	6"	4	7/16"
4"	8-3/8"	12"	1/4"	7"	4	7/16"
6"	10-3/8"	12"	1/4"	9"	8	7/16"
8"	12-3/8"	12"	1/4"	11"	8	7/16"
10"	14-3/8"	12"	3/8"	13"	12	7/16"
12"	16-3/8"	12"	3/8"	15"	12	7/16"
14"	18-3/8"	12"	3/8"	17"	12	7/16"
16"	20-3/8"	12"	1/2"	19"	16	7/16"
18"	22-3/8"	12"	1/2"	21"	16	7/16"
20"	24-3/8"	12"	1/2"	23"	20	7/16"
24"	28-3/8"	12"	1/2"	27"	20	7/16"
30"	34-3/8"	12"	1/2"	33"	28	7/16"
36"	40-3/8"	12"	1/2"	39"	32	7/16"
42"	46-3/8"	12"	5/8"	45"	36	7/16"
48"	54-3/8"	12"	5/8"	52"	44	9/16"
54"	60-3/8"	12"	5/8"	58"	44	9/16"
60"	66-3/8"	12"	5/8"	64"	52	9/16"
66"	72-3/8"	12"	5/8"	70"	60	9/16"
72"	78-3/8"	12"	5/8"	76"	60	9/16"
84"	90-3/8"	12"	5/8"	88"	72	9/16"
96"	102-3/8"	12"	5/8"	100"	80	9/16"

DAMPER ACCESSORIES

Perry Fiberglass offers a wide variety of damper accessories.

- FRP Shaft, Stainless Steel Encapsulated in FRP or Stainless Steel Shaft
- Pneumatic or Electric Actuators
- Chainwheel Operators
- Hand Wheels
- Viton, EPDM or Neoprene Shaft and Blade Seals (EPDM is Standard)
- Flanged Bodies
- Build In Dampers (Only available on Balancing Dampers)
- Teflon Bearings

CERTIFIED RATINGS AUTHORIZED BY AMCA (certification in process)

Corporate Headquarters

5415 Village Drive Rockledge, Florida 32955

Manufacturing Facility

377 Woodland Avenue Elyria, Ohio 44035