

# PERRY FIBERGLASS PRODUCTS, INC.

5415 VILLAGE DRIVE ROCKLEDGE DRIVE, FLORIDA 32955

PH: (321) 609-9036

FAX: (321) 609-9003

	<b>MODEL RED214 BUILT-IN OR FLANGED FIBERGLASS DAMPER</b>	<b>Perry #</b>
--	---	----------------

## STANDARD CONSTRUCTION

### FRAME

Fiberglass channel, Vinyl Ester Resin. See table below for dimensions.

### BLADE

Fiberglass Vinyl Ester Resin.

### AXLE

Pultruded Fiberglass, Vinyl Ester Resin. See table below for diameter.

### BEARINGS

Molded FRP

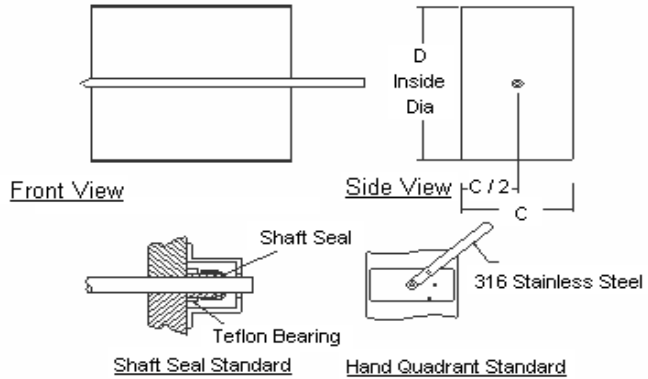
### SIZES

Minimum 6" W x 6" H

Maximum 48" W x 48" H

### MAXIMUM TEMPERATURE

150 F.



### MAXIMUM SYSTEM PRESSURE

./- 10" W.G.

### NOTES

1. Crank lever and hand quadrant constructed of FRP
2. Construction based on voluntary standard PS 15-69.
3. All options at additional cost.

"D" Inside Diameter	"C" Dimension	Wall Thickness	Blade Thickness	Axle Diameter
6"x6" to 20"x20"	12	0.125	0.25	1"
22"x22" to 36"x36"	12	0.187	0.25	1"
38"x38" to 48"x48"	12	0.25	0.5	1"

### OPTIONS

QUANTITY	SIZE	TAG	SPECIAL NOTES

ALL STATED SPECIFICATIONS ARE SUBJECT TO CHANGE WITHOUT NOTICE.