



Perry Fiberglass Products, Inc.

LEADERS IN FIBERGLASS REINFORCED PLASTIC DUCT PRODUCTS

33660 PIN OAK PKWY, AVON LAKE, OH 44012 PHONE 440-930-7701 FAX 440-930-7717 www.PerryFiberglass.com

ROUND DAMPER SPECIFICATION SHEET

MODEL CD214 FIBERGLASS DAMPER

Standard Construction

Frame

Fiberglass channel, Vinyl Ester Resin
See Table 1 for dimensions.

Blade

Fiberglass, Vinyl Ester Resin

Axle

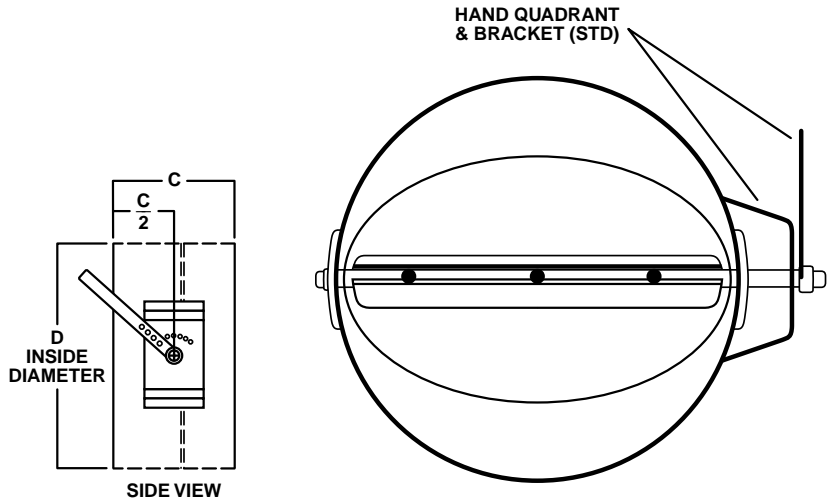
Pultruded fiberglass,
Vinyl Ester Resin.

Bearings

Molded FRP

Control Shaft

Axle extends 6" beyond frame
Complete with FRP hand quadrant



Sizes

4" – 60" Diameter

Maximum Temperature

200°F (94°C)

Maximum System Pressure

+ / - 10 w.g.

Maximum Velocity

2000 fpm

TABLE 1

"D" Inside Diameter	"C" Dimension	Wall Thickness	Blade Thickness
4" to 20"	Diameter	.125"	.25"
22" to 36"	Diameter	.187"	.25"
42" to 60"	Diameter	.250"	.50"

Qty.	Size	Tag	Special Notes

Other Specifications (check all that apply)

- Frame** ___ Fiberglass
Blade ___ Fiberglass
Axle ___ Fiberglass Rod
Bearings ___ Molded PTFE
Seals ___ Shaft Seal ___ Blade Seal
Options ___ Flanged ___ Resin ___ Motor

Notes

1. Crank lever and hand quadrant constructed of FRP
2. Construction based on voluntary standard PS 15-69
3. All options at additional cost.
4. All stated specification are subject to change without notice