



Perry Fiberglass Products, Inc.

LEADERS IN FIBERGLASS REINFORCED PLASTIC DUCT PRODUCTS

33660 PIN OAK PKWY, AVON LAKE, OH 44012 PHONE 440-930-7701 FAX 440-930-7717 www.PerryFiberglass.com

SQUARE DAMPER SPECIFICATION SHEET

MODEL RED214 FIBERGLASS DAMPER

Standard Construction

Frame

Fiberglass, Vinyl Ester Resin
See Table 1 for dimensions.

Blade

Fiberglass, Vinyl Ester Resin

Axle

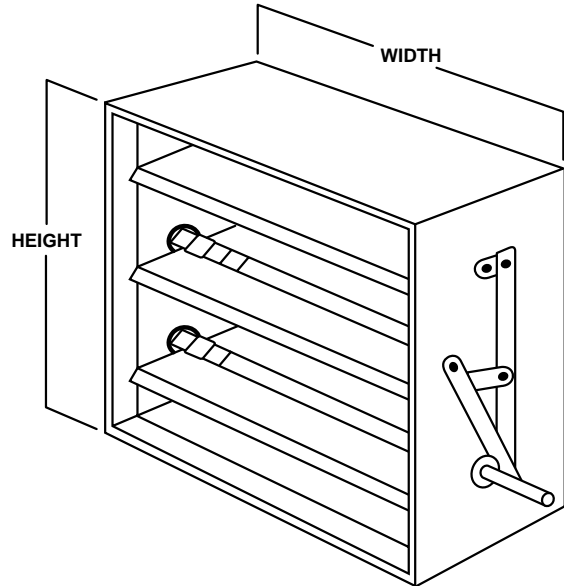
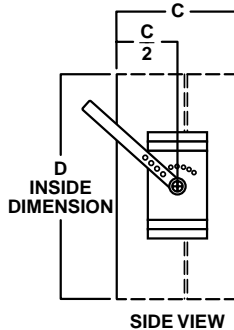
Pultruded fiberglass,
Vinyl Ester Resin

Bearings

Molded FRP

Control Shaft

Axle extends 6" beyond frame
Complete with FRP hand quadrant



Sizes

Minimum 6" W x 6" H
Maximum 48" W x 48" H

Maximum Temperature

200°F (94°C)

Maximum System Pressure

+ / - 10 w.g.

Maximum Velocity

2000 fpm

TABLE 1

"D" Inside Dimension	"C" Dimension	Wall Thickness	Blade Thickness
6" x 6" to 16" x 16"	12"	.125"	.25"
18" x 18" to 36" x 36"	12"	.187"	.25"
38" x 38" to 48" x 48"	12"	.250"	.50"

Qty.	Size	Tag	Special Notes

Other Specifications (check all that apply)

- Frame** Fiberglass
Blade Fiberglass
Axle Fiberglass Rod
Bearings Molded PTFE
Seals Shaft Seal Blade Seal
Options Flanged Resin Motor

Notes

1. Crank lever and hand quadrant constructed of FRP
2. Construction based on voluntary standard PS 15-69
3. All options at additional cost.
4. All stated specification are subject to change without notice