

PERRY FIBERGLASS PRODUCTS, INC.

5415 VILLAGE DRIVE ROCKLEDGE DRIVE, FLORIDA 32955

PH: (321) 609-9036

FAX: (321) 609-9003

TBD	MODEL BD214	PERRY #TBD
TBD	FIBERGLASS DAMPER	

STANDARD CONSTRUCTION

BLADE

Fiberglass Vinyl Ester Resin.

AXLE

Pultruded Fiberglass, Vinyl Ester Resin. See table below for diameter.

BEARINGS

Teflon

SIZES

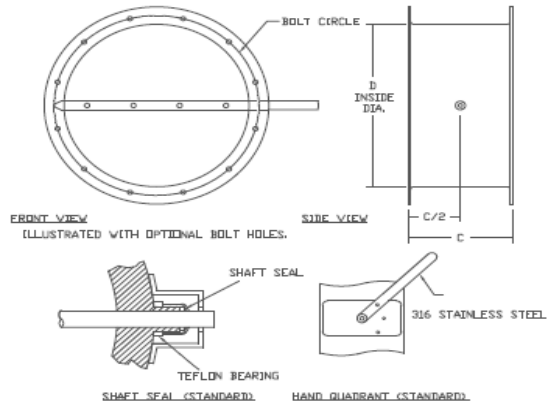
4" - 96"

MAXIMUM TEMPERATURE

150° F.

MAXIMUM SYSTEM PRESSURE

+/- 30" W.G.



NOTES

1. Handle constructed of 316 SS.
2. Construction based on voluntary standard PS 15-69.
3. All volume dampers have shaft seals as standard.

OPTIONS

FLANGED	<input checked="" type="checkbox"/>	BLADE SEAL	<input type="checkbox"/>
---------	-------------------------------------	------------	--------------------------

BLADE STOP	ACTUATOR	ACTUATOR
S.S. AXLE	ELECTRIC	PNEUMATIC

"D"	Flange	Wall	Blade	Axle	"C"
Inside Diameter	Thickness	Thickness	Thickness	Diameter	
4"-8"	0.25"	0.125"	0.25"	0.75"	12"
10"-12"	0.375"	0.125"	0.25"	1"	12"
14"	0.375"	0.1875"	0.25"	1"	12"
16"-26"	0.50"	0.1875"	0.50"	1"	12"
28"-36"	0.50"	0.25"	0.50"	1"	12"
38"-42"	0.625"	0.25"	0.50"	1"	12"
44"-64"	0.625"	0.3125"	0.75"	1"	12"
66"-86"	0.625"	0.375"	0.75"	1.25"	12"
88"-96"	0.625"	0.4375"	0.75"	1.25"	12"

QUANTITY	DIAMETER	TAG	SPECIAL NOTES

ALL STATED SPECIFICATIONS ARE SUBJECT TO CHANGE WITHOUT NOTICE.