

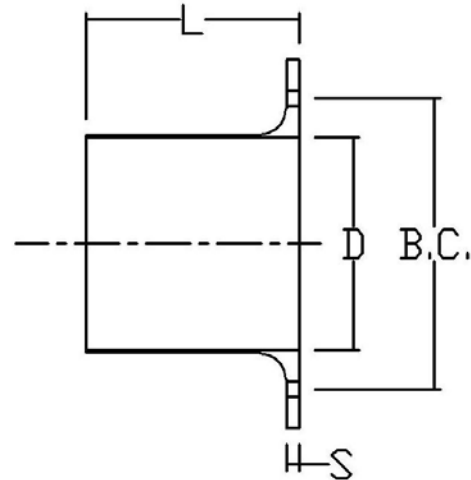
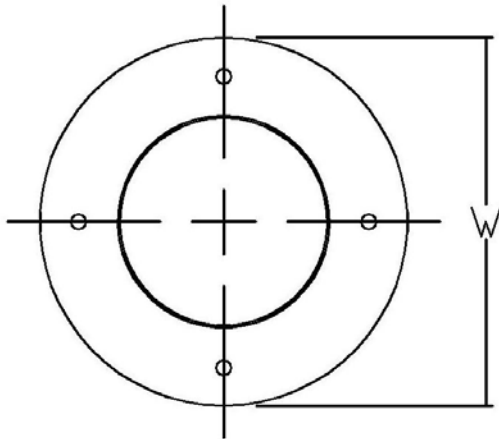


Perry Fiberglass Products, Inc.

LEADERS IN THE DESIGN AND MANUFACTURING OF DUCTWORK, CARBON ADSORBERS, SCRUBBERS, FANS, PIPING, & TANKS

5415 Village Drive Rockledge, Florida 32955 / PHONE: 321-609-9036 / FAX: 321-609-9003 / www.PerryFiberglass.com

ANSI B16.5 CLASS 150 FRP FLANGES



D	W	L	S	B.C.	NO. HOLES	HOLE SIZE
2	6-1/2	9	11/16	4-3/4	4	3/4
3	8	9	13/16	6	4	3/4
4	9-1/2	9	15/16	7-1/2	8	3/4
6	11-1/2	9	1-1/16	9-1/2	8	7/8
8	14	9	1-1/4	11-3/4	8	7/8
10	16-1/2	10	1-7/16	14-1/4	12	1
12	19-1/2	10	1-3/4	17	12	1
14	21-1/2	12	1-7/8	18-3/4	12	1-1/8
16	24	12	2	21-1/4	16	1-1/8
18	25-1/2	12	2-1/4	22-3/4	16	1-1/4
20	28	12	2-7/16	25	20	1-1/4
24	32-1/2	12	2-13/16	29-1/2	20	1-3/8