



Perry Fiberglass Products, Inc.

LEADERS IN THE DESIGN AND MANUFACTURING OF DUCTWORK, CARBON ADSORBERS, SCRUBBERS, FANS, PIPING, & TANKS

5415 Village Drive Rockledge, Florida 32955 / PHONE: 321-609-9036 / FAX: 321-609-9003 / www.PerryFiberglass.com

FIBERGLASS SOUND ENCLOSURE

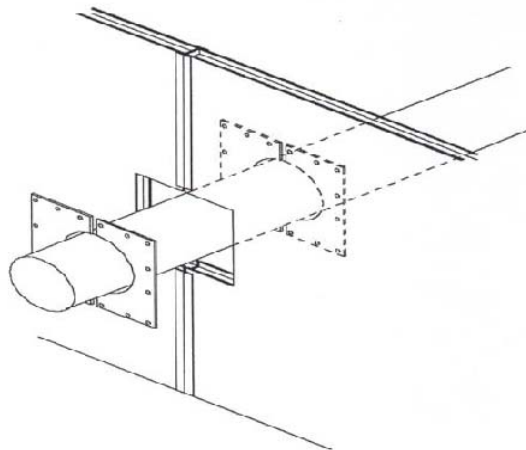
General FRP Sound Enclosure Installation Instructions

SAFETY FIRST: Observe the area of Classification of the job site and use proper tools.

ALWAYS SHUT DOWN, LOCK OUT AND TAG SERVICE PANEL TO EQUIPMENT CONTAINED WITHIN THE SOUND ENCLOSURE. DO NOT OPERATE EQUIPMENT INSIDE OF THE SOUND ENCLOSURE WITH PERSONELL INSIDE OF THE SOUND ENCLOSURE.

The Following assumes New Enclosure, Blower, and Duct Installation.

- 1) Install Blower, with Isolators, and seismic restraints if furnished, in accordance with the Blower manufacturer's Installation Instructions. Level, Shim and Grout Blower Base as per Blower Manufacturer's installation instructions.
- 2) Close all dampers to the duct system, Tag and Lock-Out Power to Blower.
- 3) Ensure the Concrete Pad is Swept Clean. Lift Sound Enclosure onto Concrete Pad over Blower. Center / Align the Inlet and Discharge penetrations of the Sound Enclosure to the Blower's Inlet and Discharge Flanges. Do not anchor the Enclosure to the pad, this is the last step.
- 4) Follow Duct manufacturer's Installations for Duct Connections and or Duct Supports to Blower. Apply any Duct Flange Gaskets. Bolt discharge Ductwork and or Flex Connectors to the Blower Discharge. Bolt inlet Ductwork and or Flex Connectors to the Blower inlet. Torque the hardware to the ductwork manufacturers required torque values. Install Duct supports.
- 5) With the inlet and discharge duct secured, check and adjust for a uniform clearance between the inlet and discharge ductwork OD to the enclosure cut-outs, adjust the enclosure position as needed.
- 6) Install FRP plates as shown above. Field Cut FRP Closure Panels or plates on the centerline, then trim the FRP Plates to duct outside diameter, plus $\frac{1}{4}$ " Uniform Clearance gap. Attach the FRP Intake and Discharge Plates with the hardware provided.
- 7) Apply a bead of Silicone around the OD of the duct and ID of the FRP Closure Panels and down the Split of the Closure Plate.

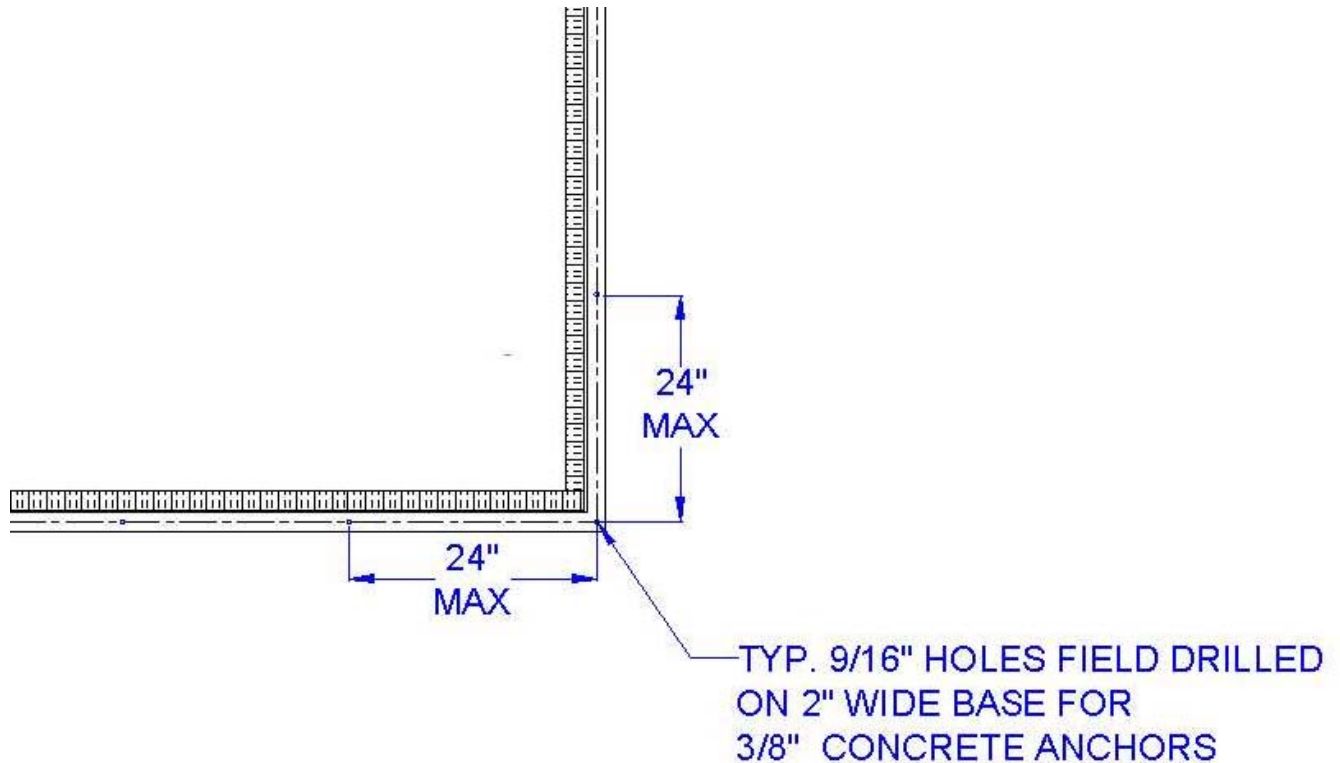


8) If applicable Drill Hole in Enclosure for Blower Drain Port. Plumb the Drain as per Blower Manufacturer's Instructions or Job site specifications

9) Base Flange Drilling. Base Flanges are not typically Pre-Drilled unless Specified or Structural Calculations are provided. Installer shall drill base flange as per below if the Perry Fiberglass Drawings or Submittals do not indicate otherwise. The following is a recommendation only, always review the site construction plans for anchor bolt size, embedment and anchor bolt hole spacing. Site construction plans shall prevail over diagram below.

10) If required, anchor the 2" Wide Base Flange of the sound enclosure to the concrete pad using a concrete anchors, washers and nuts, in accordance with site specifications. Anchor Bolts are not provided by Perry Fiberglass Co. If no sit specifications exist we recommend Simpson Strong Tie, "Titen HD" 3/8" Dia x 6", on Aprox 16" to 24" Centers.

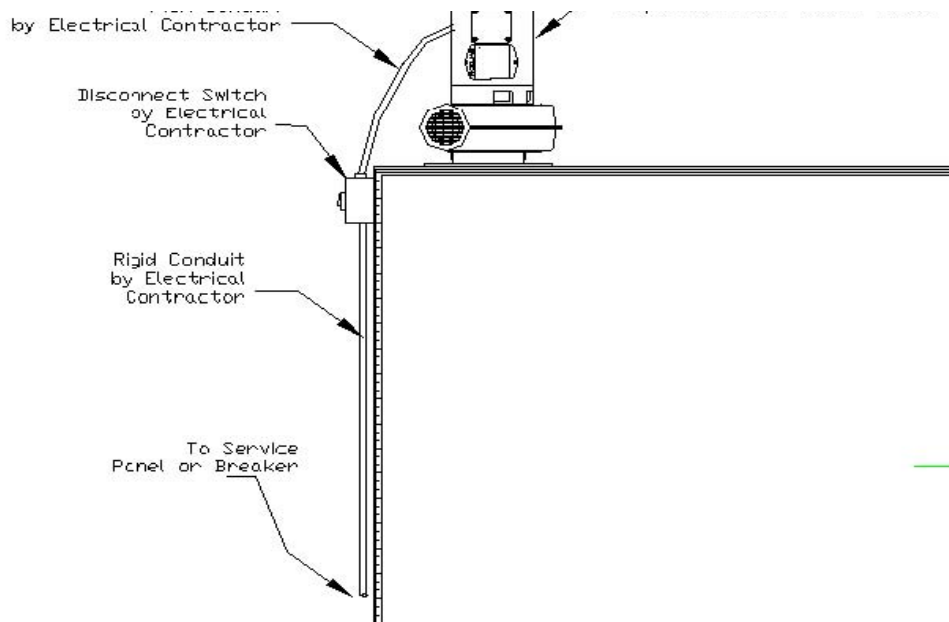
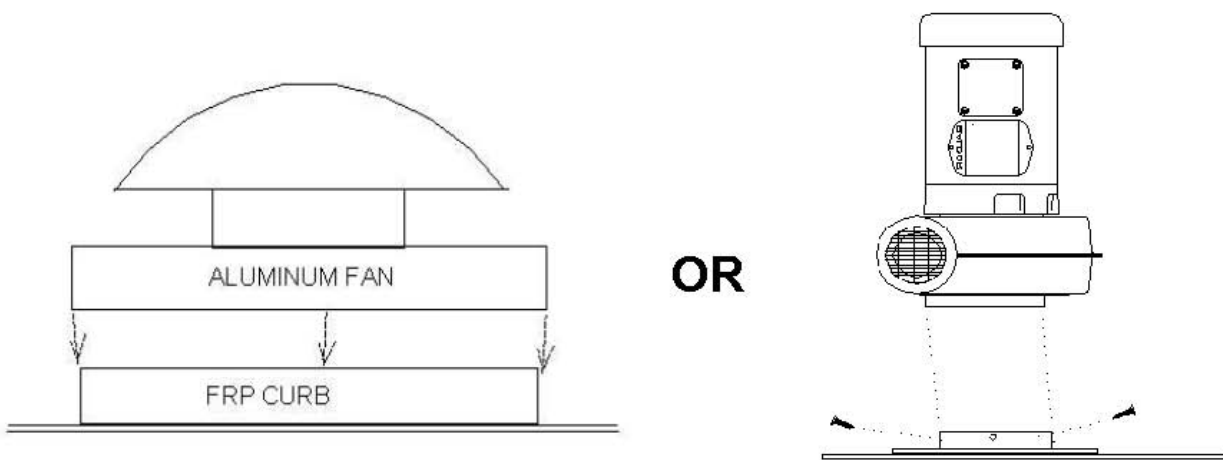
11) Assuming the Blower is installed, the duct and duct supports are installed and anchored, the enclosure can be anchored to the equipment pad. Consult the installation instructions provided by the concrete anchor manufacturer.



Ventilation Fan Installation

12) Ventilation Fan for enclosure. The ventilation Exhaust Fan or blower will have an inlet support flange or Curb pre mounted to the enclosure, depending on the type specified. In some cases, the ventilation fan will ship loose to prevent shipping damage. Lift the ventilation fan onto the pre-installed inlet flange or curb base on top of the enclosure. Adjust the discharge position of the ventilation fan discharge as needed. Fasten the Blower with The Hardware provided.

13) Electrician to provide a local disconnect switch, if required per specifications (by others) at the ventilation Fan or Blower and wire in accordance with the job specification and fan manufacturers connection wiring diagram. Check to ensure the ventilation blower impeller is turning the correct rotation per the direction arrow on the Fan Housing. Reverse leads as needed for correct rotation. Refer to the attached Ventilation Manufacturer's Installation, Operation and Maintenance Data sheets.



Above is one example of an exhaust Fan, there are other types supplied per specs, reference the Exhaust Fan Installation Operation and Maintenance Instructions for the Specific Fan Included with this shipment.

SAFETY PRECAUTIONS

- 1) **CAUTION:** Typical Sound Enclosure installations may involve equipment that handles Hazardous or Toxic Fumes. Fugitive Gases, such as Hydrogen Sulfide, Ammonia, Methane, Chlorine Gas, Sulfur Dioxide may be present inside the enclosure due to equipment leaks or drainage. Always use a gas detector before entering the enclosure, if fumes are present take measures to remove fumes via external 'confined space' ventilation Fan and/or use of *Supplied Air Respirators (SCBA)* may be required prior to entry. If there is any evidence of leakage external to the Blower or Pump inside the enclosure it is recommended this problem be rectified before any other service is done. It would also be recommended to pressure wash the area clean of dry or aqueous chemicals that may have collected on the concrete pad or enclosed equipment.
- 2) **CAUTION.** Do not weld, or grind or use tools that may cause sparks within the Sound Enclosure. The enclosure or equipment needing service must be completely removed prior to using any arc or spark producing device within the sound enclosure.
- 3) **CAUTION:** Do not walk on, climb on or sit on the top of the Sound Enclosure. Sound Enclosures are not designed typically for Man Loads.
- 4) **CAUTION:** Do not operate, start or run the rotating equipment contained within the Sound Enclosure with Personnel Inside of the Sound Enclosure.
- 5) A copy of these instructions shall be printed out and kept at the job site at all times. These instructions shall be reviewed each time with each individual performing service on equipment being serviced within the enclosure.
- 6) **PERRY FIBERGLASS PRODUCTS, INC.** assumes no liability for errors or omissions contained within these instructions. Perry Fiberglass reserves the right to revise and/or amend these instructions at any time without notice. We cannot cover or predict each custom installation of each sound enclosure as they are used in various custom purposes. It is expected the owner, contractor, service personnel uses their own due diligence for safety, caution and professional common sense and follows the safety procedures specific to the site. Use or misuse of the enclosure is solely at the owner, operator or servicer's own risk. If there are any questions as to the safe installation, operation or maintenance of this sound enclosure please call (321) 609-9036.