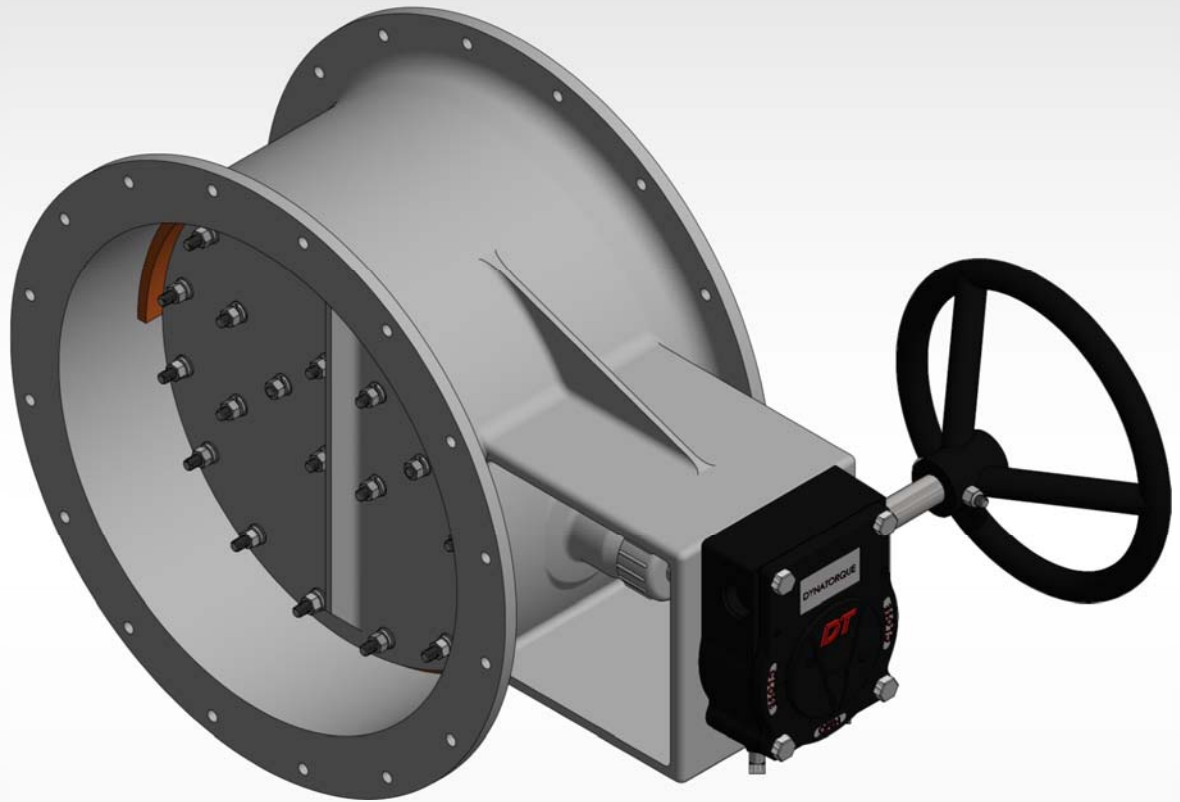




PERRY FRP ZERO LEAK DAMPER



Perry Fiberglass Products, Inc.

Experts in designing and manufacturing odor control and air pollution control equipment

5415 Village Drive Rockledge, Florida 32955 / Phone: 321-609-9036 / www.PerryFiberglass.com

ABOUT THE PERRY FRP ZERO LEAK DAMPER

Perry Fiberglass Products, Inc. offers engineered fiberglass reinforced plastic zero leak dampers. Perry zero leak isolation dampers utilize corrosion resistant parts for air movement control.

Perry zero leak dampers are fire retardant, corrosion resistant, and UV protected. All components within the damper are replaceable. The damper shafts are constructed of either solid FRP or 316 stainless steel. Exotic metals such as Hastelloy-C and Titanium are also available. Each damper is factory tested prior to shipment ensuring a leak free damper.

ZERO LEAK DAMPER OPTIONS

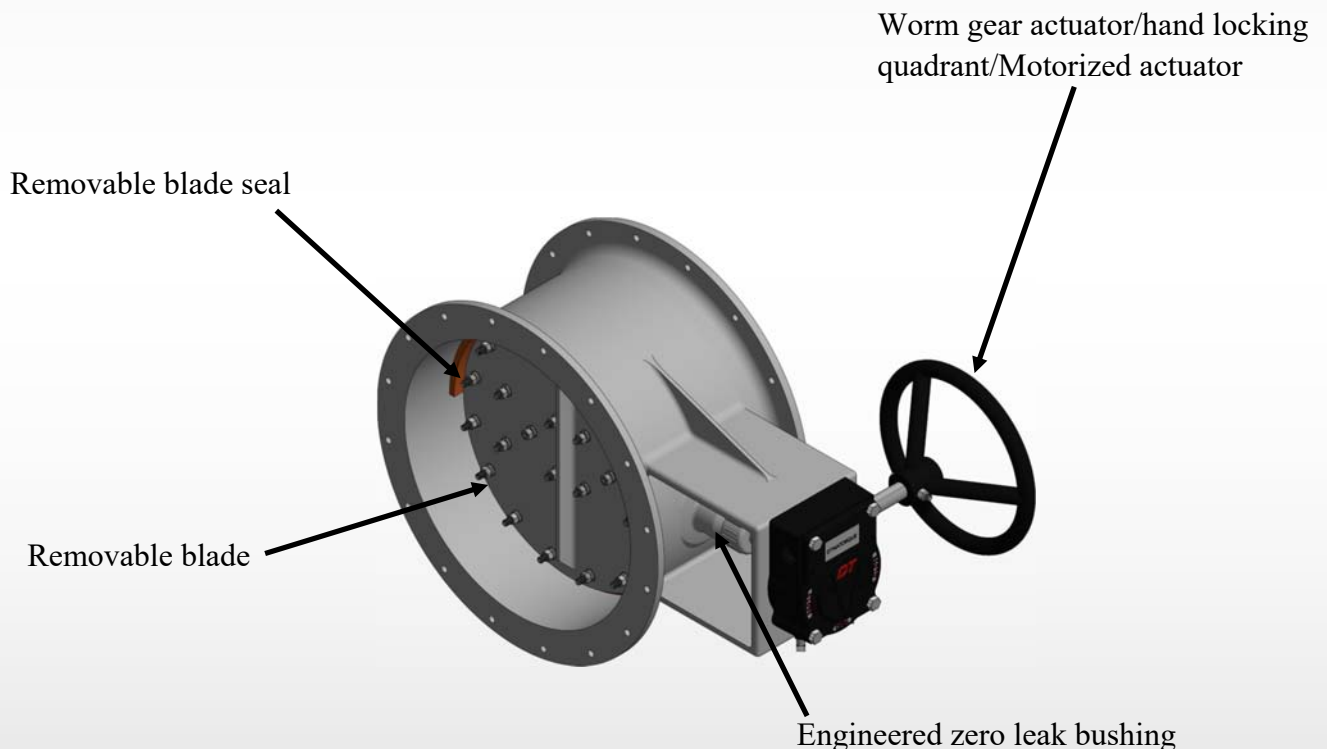
EPDM, Viton or Hypalon blade seal

Chainwheel operator, Handwheel or Hand Locking Quadrant

Electric or Pneumatic Actuators

Sizes from 4-inch diameter to 96-inch diameter

Internal metal parts—316 stainless steel, Hastelloy-C or Titanium



PERRY ZERO LEAK DAMPER SHOWN ABOVE.

Perry Fiberglass Products, Inc.

Experts in designing and manufacturing odor control and air pollution control equipment

5415 Village Drive Rockledge, Florida 32955 / Phone: 321-609-9036 / www.PerryFiberglass.com

Performance Data

Test Information

Air leakage is based on operation between 32°F and 120°F.

Will the Zero Leak Damper Leak After Purchased from Perry?

Absolutely not! Every FRP Perry Zero Leak Damper (PZLD) is leakage tested at 30 in. wg (7.5 KPa) in before the damper leaves the factory. Perry Fiberglass Products, Inc. will not ship a PZLD unless it meets a zero leak test.

Perry Fiberglass Products, Inc.

Experts in designing and manufacturing odor control and air pollution control equipment

5415 Village Drive Rockledge, Florida 32955 / Phone: 321-609-9036 / www.PerryFiberglass.com

ABOUT PERRY

Perry Fiberglass Products, Inc. was established in 1984 by Thomas Pulliam. Thomas Pulliam sold the company to his son Chad Pulliam in 2005. Perry Fiberglass is headquartered in Rockledge, Florida and manufactures all of its FRP products in Elyria, Ohio.

We develop, design and manufacture equipment for the treatment of odorous compounds in air-streams. We remain set apart from other odor control companies by providing a complete turn-key system.

Perry Fiberglass is in the business of supporting owners and engineers by providing technologically developed and improved odor control and air pollution control equipment.

Our mission is to provide quality engineered products at a competitive price and in compliance with recognized codes and standards. Our emphasis on quality and excellent customer service by trained personnel is paramount to our success.

Company Experience

- Over 34 years of experience designing and manufacturing odor control and air pollution control equipment. Such as FRP ductwork, dampers, piping, stacks, carbon adsorbers, biological filters, chemical scrubbers, air strippers, storage tanks and other FRP components.
- Installations all over North America.



OTHER PRODUCTS OFFERED BY PERRY

- B1 single bed carbon adsorbers
 - B2 dual bed carbon adsorbers
 - RF radial flow carbon adsorbers
 - Chemical scrubbers
 - Controls
 - Biofilters
 - FRP ductwork systems
 - Dampers
 - Grease filter/ mist eliminators
 - Control panels
 - Fans
 - Biotrickling Filters
 - Activated carbon media
 - FRP chemical storage tanks
 - FRP hoods/ covers
 - Sound enclosures and silencers
 - Field services
 - Rectangular control dampers
-

CALL TODAY FOR TOMORROW'S SOLUTIONS! 321-609-9036

Perry Fiberglass Products, Inc.

Experts in designing and manufacturing odor control and air pollution control equipment

5415 Village Drive Rockledge, Florida 32955 / Phone: 321-609-9036 / www.PerryFiberglass.com